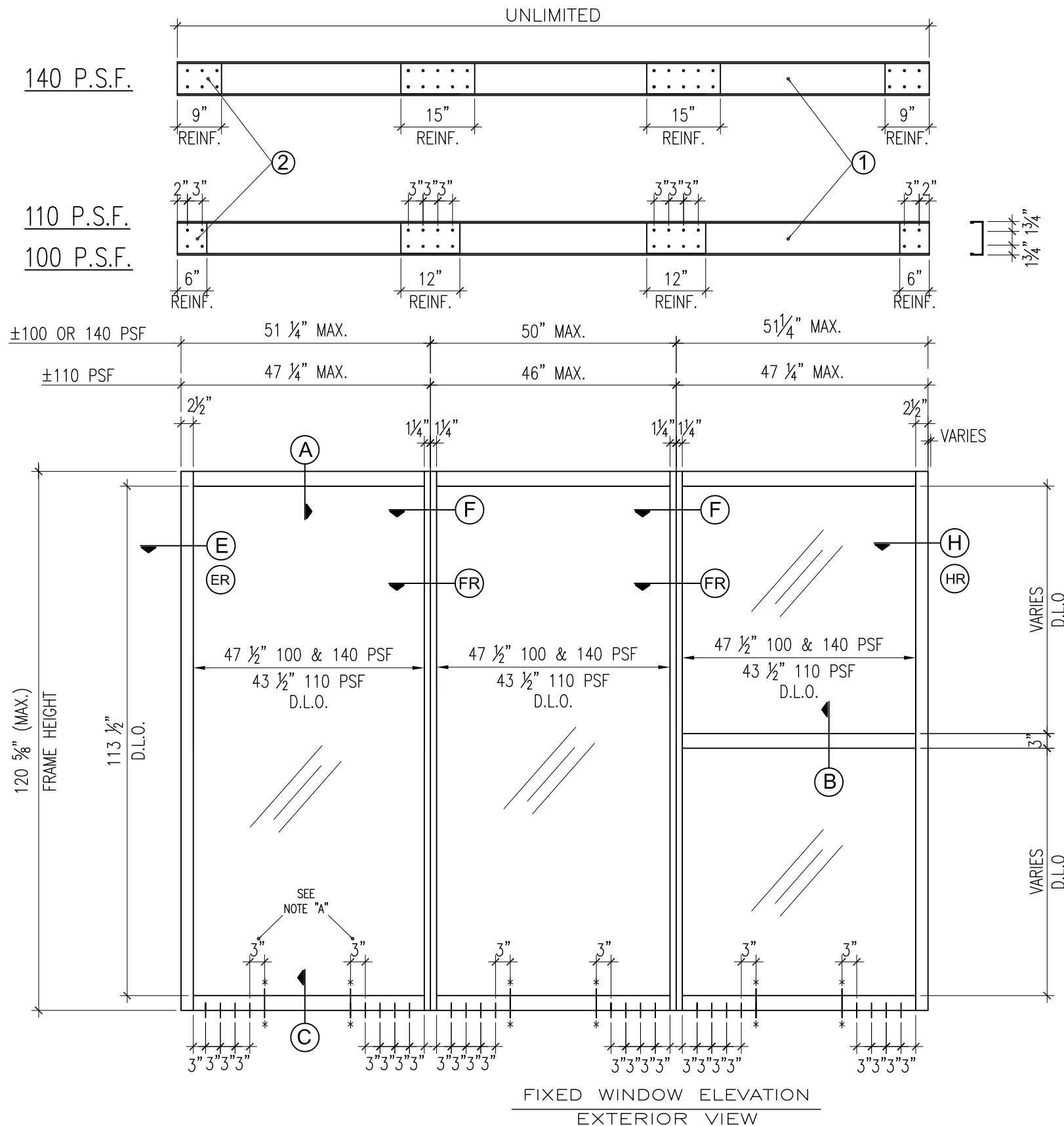


HEAD RECEPTOR

C.G.S. SERIES 3100 FIXED WINDOW WALL



NOTES:

1. THIS FIXED WINDOW SYSTEM IS DESIGNED AND TESTED TO COMPLY WITH THE REQUIREMENTS OF THE 5TH EDITION FLORIDA BUILDING CODE (FBC) CHAPTER 16 AND 24, UNDER THE SPECIFIC CONDITION SHOWN ON THIS DRAWING. REF. FTL TEST No. 5246 & BWT TEST NO. BT-CON-16-006

2. ALL EXTRUSIONS ARE ALUMINUM, 6005-T5 ALLOY, WITH A MINIMUM F_y OF 35,000 P.S.I.

3. SMALL MISSILE IMPACT: INSTALLATION UP TO 30 FT ABOVE GRADE WILL REQUIRE A HURRICANE PROTECTION SYSTEM. BUT FOR INSTALLATION ABOVE 30 FT ABOVE GRADE WILL NOT REQUIRE A HURRICANE PROTECTION SYSTEM.

4. ALL INSTALLATION ANCHORS ARE 5/16" Ø ELCO ULTRACONS. 1 3/4" MIN. EMBEDMENT INTO 3515 PSI CONCRETE OR BETTER.

5. SHIMS. USE HARD PLASTIC.

6. APPROVED STRUCTURAL SILICONE:
 A) 795 DOW CORNING
 B) SCS 2000 BY GE
 C) PROGLAZE SSG BY TREMCO
 D) DOW CORNING CONTRACTORS WEATHERPROOFING SEALANT

NOTE "A"

* ADD (2) ANCHORS TO EACH PANEL WHEN LOAD = 140 P.S.F.
 ITEM (8) IS 18" LONG

DESIGN LOAD CAPACITY (P.S.F.)		MULLION REINFORCING CHANNELS	MAXIMUM D.L.O. WIDTH	MAXIMUM WINDOW WIDTH
POSITIVE	NEGATIVE			
110	110	NO	43 1/2"	46
140	140	YES	47 1/2"	50
100	100	NO	47 1/2"	50

Continental Glass Systems, LLC.

325 West 74 Place
 Hialeah Florida, 33014

Phone 305-231-1101 Fax 305-231-1103

Series 3100
 FIXED WINDOW
 SMALL MISSILE
 IMPACT

REVISION	No	Date	By	Description
	1	9-18-07	B.C.C.O.	
	2	10/16/12	REVISION	
	3	5/14/15	FBC CODE UPDATE & E.O.R. CHANGE	
	4	07/20/16	SM MD RER COMMENT	

Date SEP-18-07

Scale

Design by G. S.

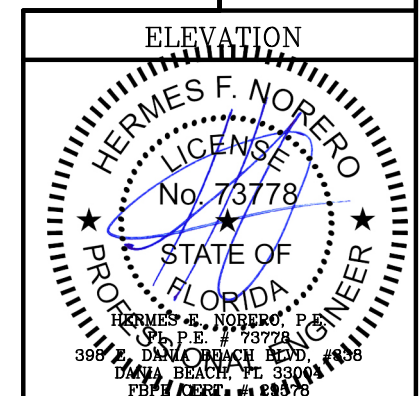
Drawing by RICHARD

Checked by G. S.

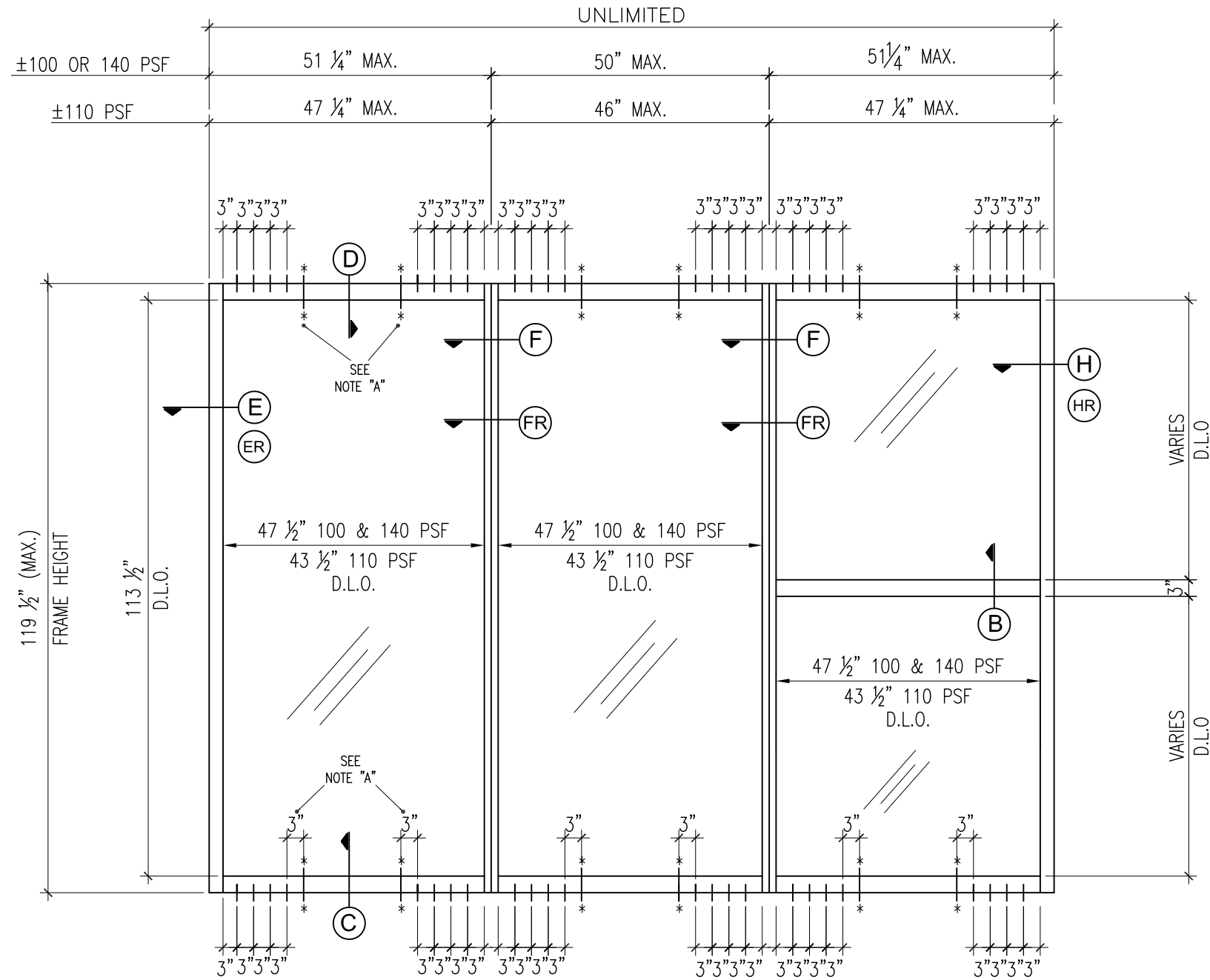
Drawing No.

FXD-3100-SM

Sheet 1 of 8



HEAD STANDARD FRAME

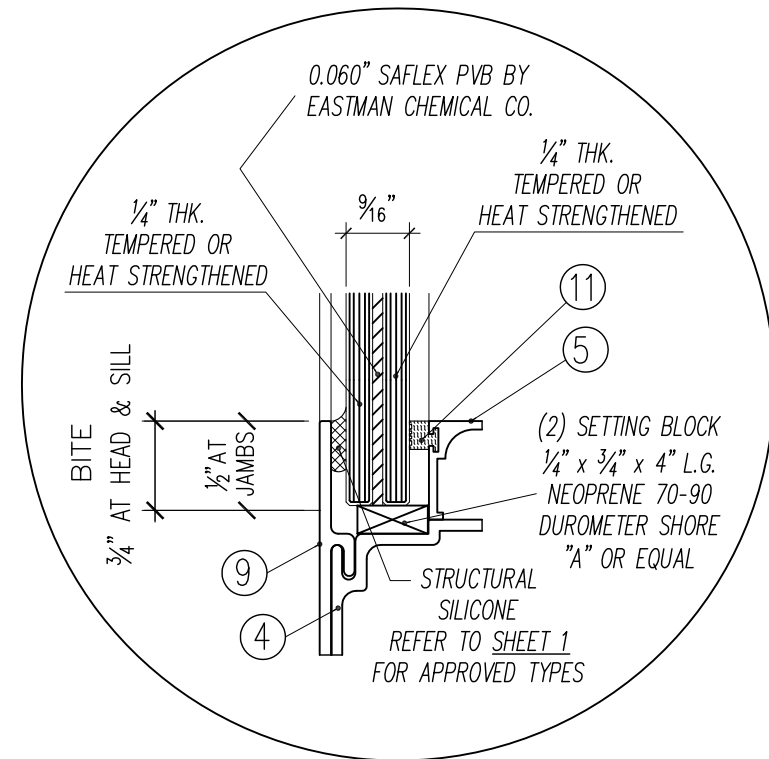


FIXED WINDOW ELEVATION
EXTERIOR VIEW

DESIGN LOAD CAPACITY (P.S.F.)	MULLION REINFORCING CHANNELS	MAXIMUM D.L.O. WIDTH	MAXIMUM WINDOW WIDTH
110	NO	43 1/2"	46
140	YES	47 1/2"	50
100	NO	47 1/2"	50

NOTE "A"

* ADD (2) ANCHORS TO EACH PANEL WHEN LOAD = 140 P.S.F.
ITEM (8) IS 18" LONG



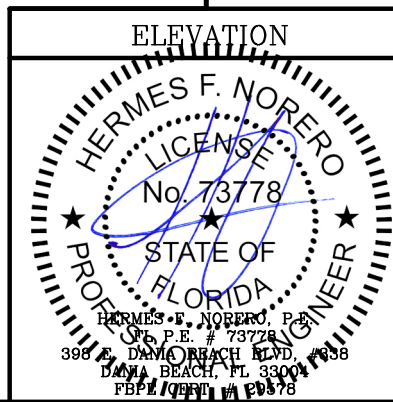
GLAZING DETAIL

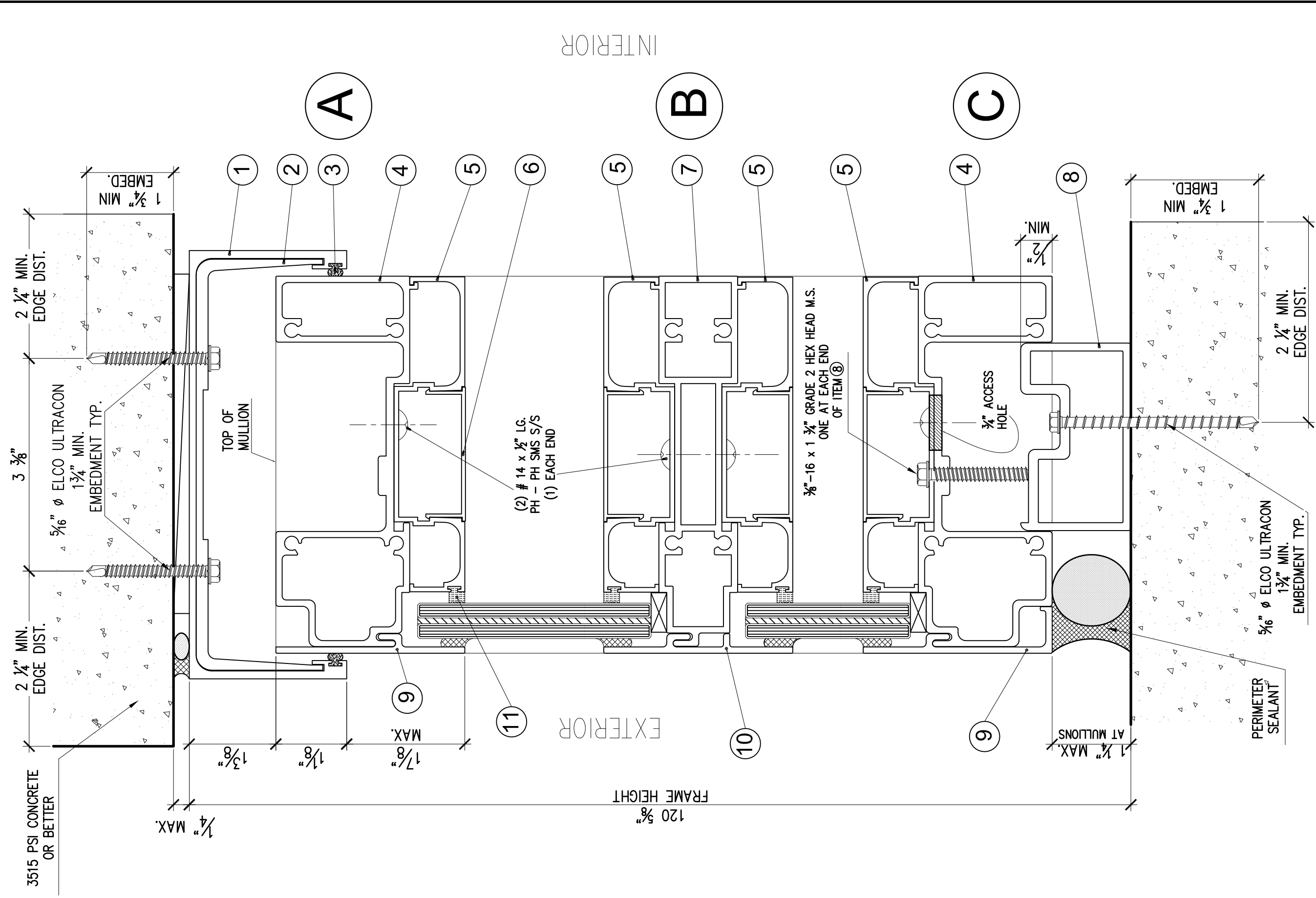
Continental Glass Systems, LLC.
325 West 74 Place
Hialeah Florida, 33014
Phone 305-231-1101 Fax 305-231-1103

Series 3100
FIXED WINDOW
SMALL MISSILE
IMPACT

REVISION	No	Date	By	Description
	1	9-18-07		B.C.C.O.
	2	10/16/12		REVISION
	3	07/20/16	SM	MD RFR COMMENT

Date	SEP-18-07
Scale	
Design by	G. S.
Drawing by	RICHARD
Checked by	G. S.
Drawing No.	FXD-3100-SM
Sheet	2 of 8





WINDOW SECTIONS
WITH HEAD RECEPTOR

SECTIONS

HERMES F. NORERO
LICENSED PROFESSIONAL ENGINEER
No. 73778
STATE OF FLORIDA

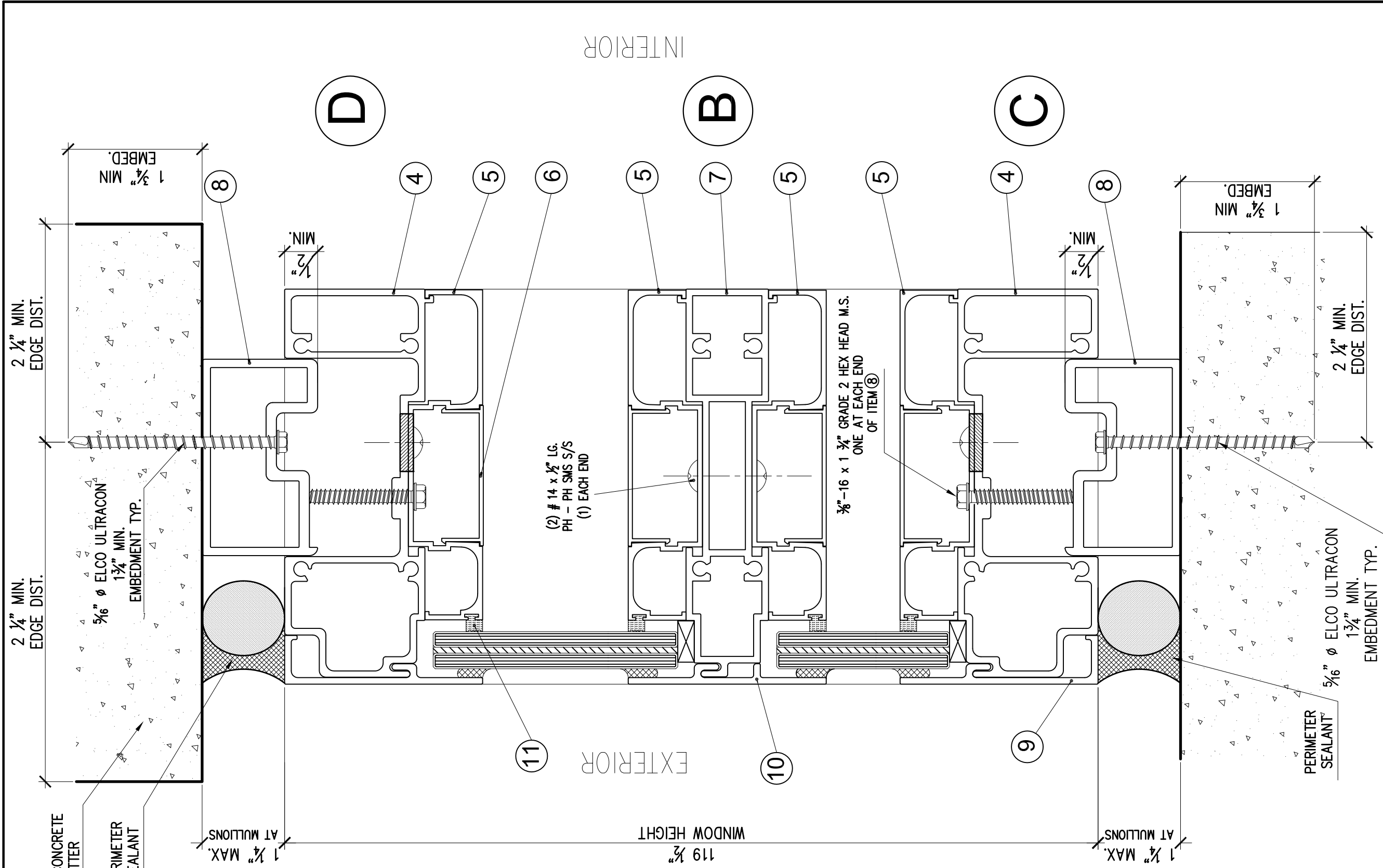
HERMES F. NORERO, P.E.
398 E. DAVIS BEACH BLVD., #388
DAVIE BEACH, FL 33004
FBP11055114 09/18/18

No.	Date	By	Description
1	9-18-07		B.C.C.O.
2	10/16/12		REVISION
3	07/20/16	SM	MD RER COMMENT

Date: SEP-18-07
Scale: N.T.S.
Design by: G. S.
Drawing by: RICHARD
Checked by: G. S.
Drawing No.: FXD-3100-SM
Sheet 3 of 8

Series 3100
FIXED WINDOW
SMALL MISSILE
IMPACT

Continental Glass Systems, LLC.
325 West 74 Place
Hialeah Florida, 33014
Phone 305-231-1101 Fax 305-231-1103



WINDOW SECTIONS
WITHOUT HEAD RECEPTOR

SECTIONS

HERMES F. NORERO, P.E.
LICENSE No. 73778
STATE OF FLORIDA
REGISTERED PROFESSIONAL ENGINEER

396 S. DANIA BEACH BLVD #338
DANIA BEACH, FL 33404
PHONE: 305-295-7811
FBI CERT. # 295781

REVISION	
No	Description
1	9-18-07 B.C.O.
2	10/16/12 REVISION
3	07/20/16 SM RER COMMENTS

Date: SEP-18-07
Scale: N.T.S.
Design by: G. S.
Drawing by: RICHARD
Checked by: G. S.
Drawing No.: FXD-3100-SM
Sheet 4 of 8

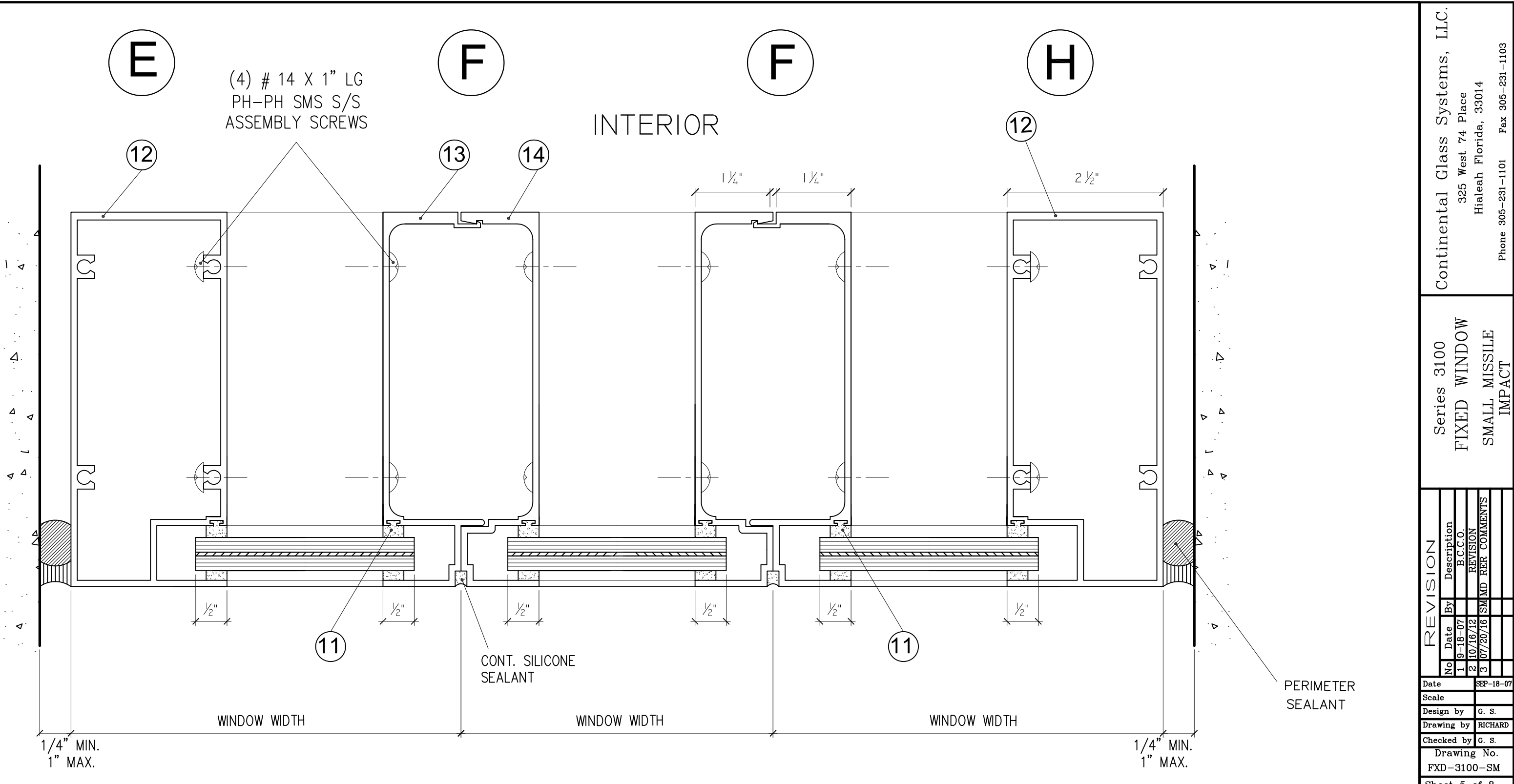
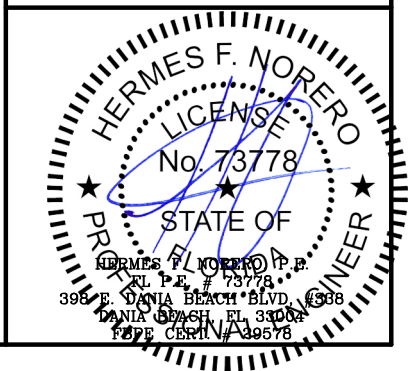
Series 3100
FIXED WINDOW
SMALL MISSILE
IMPACT

Continental Glass Systems, LLC.
325 West 74 Place
Hialeah Florida, 33014
Phone 305-231-1101 Fax 305-231-1103

REVISION	
No	Description
1	9-18-07 B.C.O.
2	10/16/12 REVISION
3	07/20/16 SM/MD RER COMMENTS

Date: SEP-18-07
 Scale:
 Design by: G. S.
 Drawing by: RICHARD
 Checked by: G. S.
 Drawing No.: FXD-3100-SM
 Sheet 5 of 8

SECTIONS



- NOTES:
1. BACKER ROD DIAMETER EQUALS SEALANT WIDTH x 120%
 2. SEALANT WIDTH TO DEPTH RATIO SHALL BE 2:1.

INTERIOR

EXTERIOR

ER

FR

FR

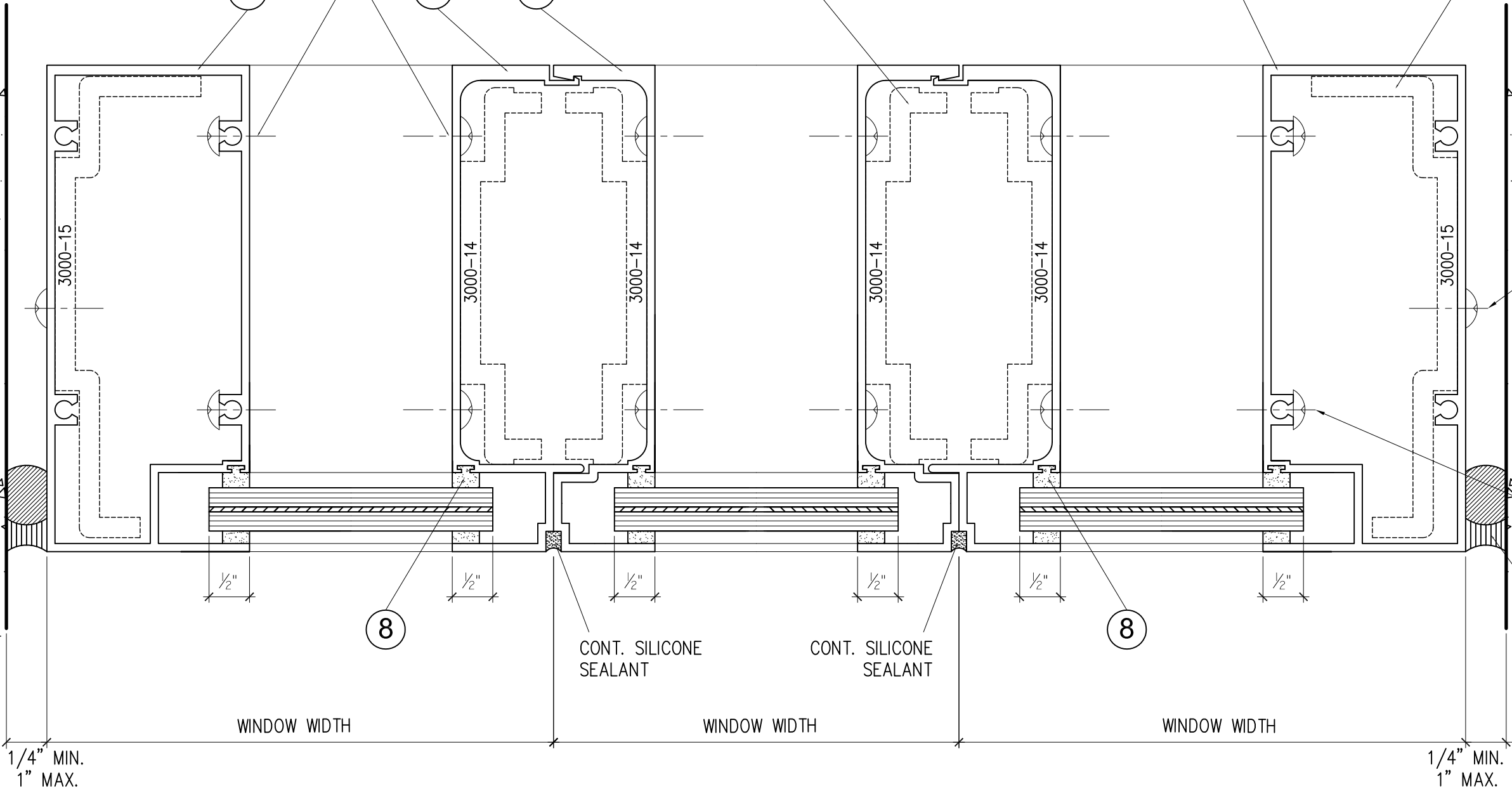
HR

(4) # 14 X 1" LG
PH-PH SMS S/S
ASSEMBLY SCREWS

#14 x 1" LG.
PH-PH SMS S/S
(1) AT TOP &
(1) AT BOTTOM

(4) #14 SMS S/S
TOP & BOTTOM (TYP)

PERIMETER
SEALANT
& BACKER ROD



Continental Glass Systems, LLC.
325 West 74 Place
Hialeah Florida, 33014
Phone 305-231-1101 Fax 305-231-1103

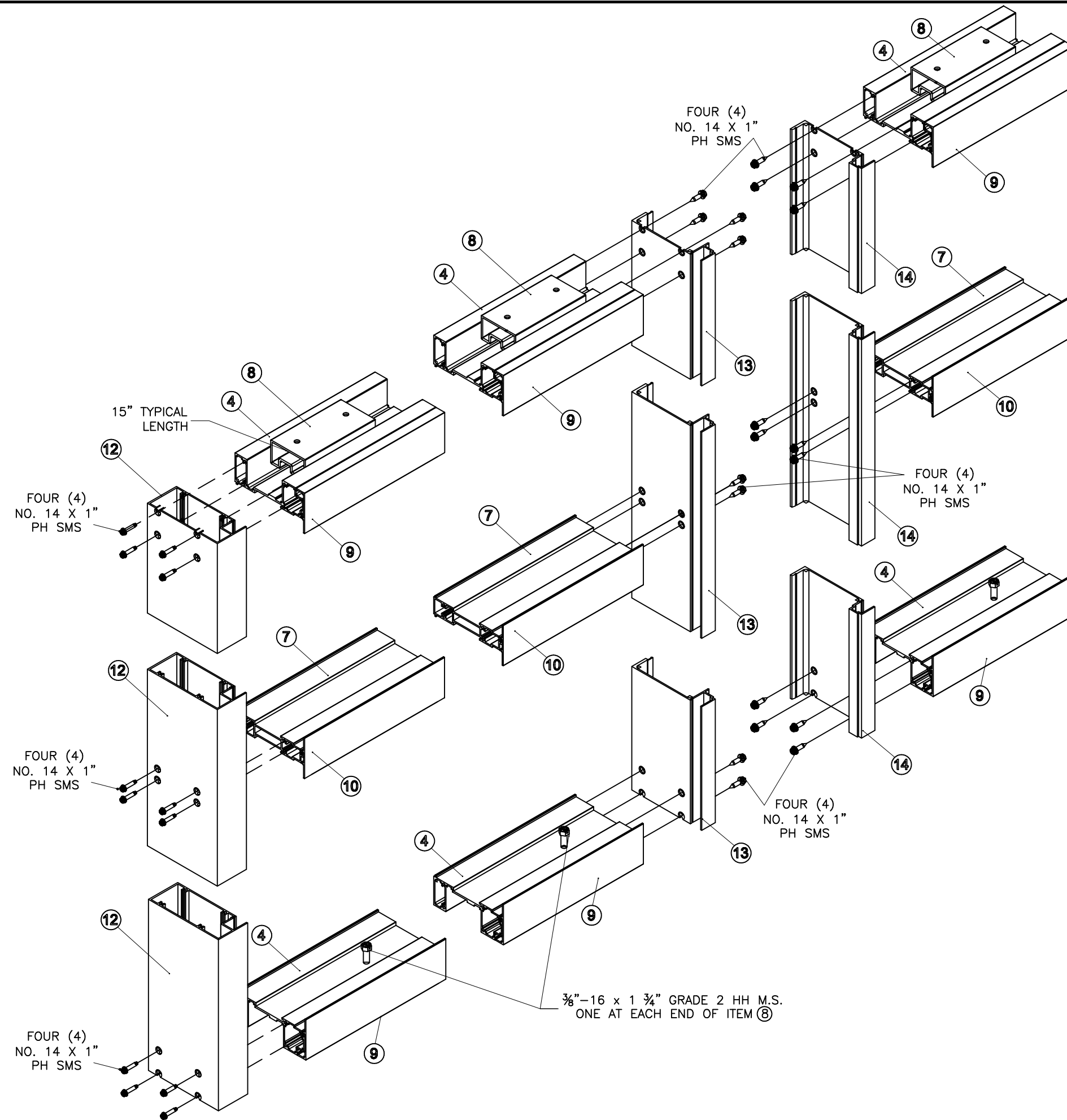
Series 3100
FIXED WINDOW
SMALL MISSILE
IMPACT

REVISION	No	Date	By	Description
	1	9-18-07		B.C.C.O.
	2	10/16/12		REVISION
	3	07/20/16		SMMD RER COMMENTS

Date SEP-18-07
Scale
Design by G. S.
Drawing by RICHARD
Checked by G. S.
Drawing No. FXD-3100-SM
Sheet 6 of 8

- NOTES:
1. BACKER ROD DIAMETER EQUALS SEALANT WIDTH x 120%
 2. SEALANT WIDTH TO DEPTH RATIO SHALL BE 2:1.

SECTIONS



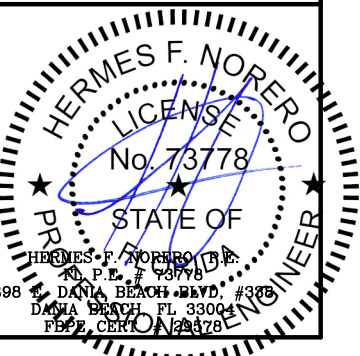
Continental Glass Systems, LLC.
 325 West 74 Place
 Hialeah Florida, 33014
 Phone 305-231-1101 Fax 305-231-1103

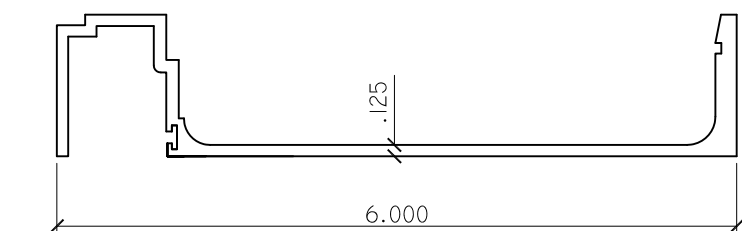
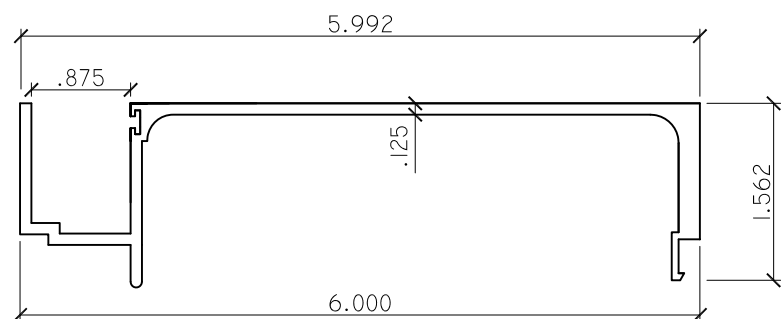
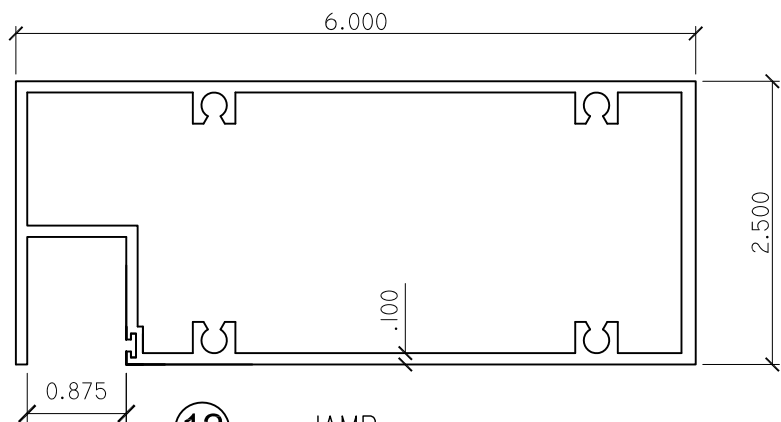
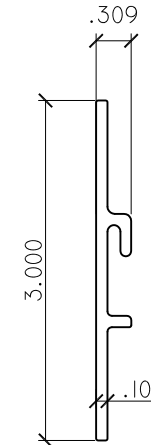
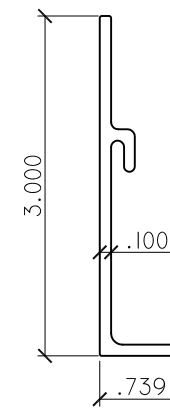
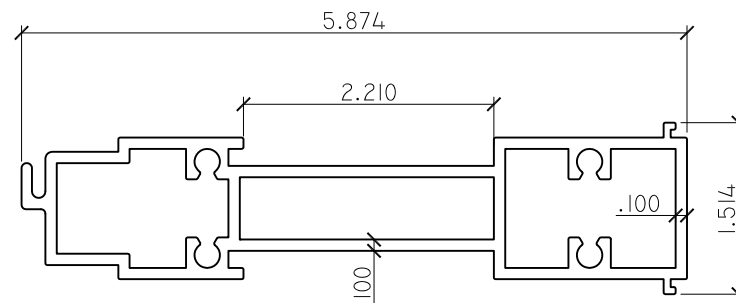
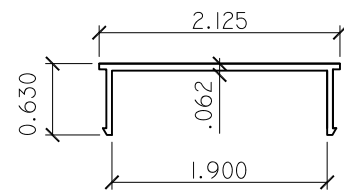
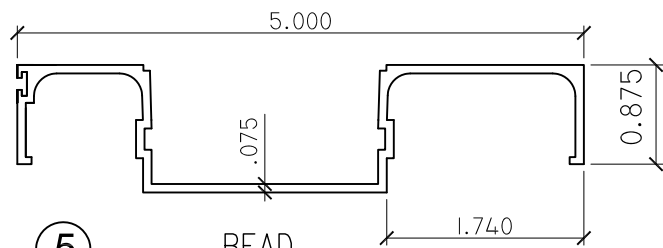
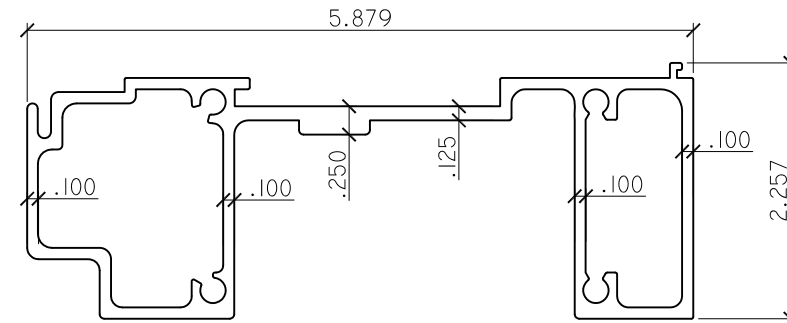
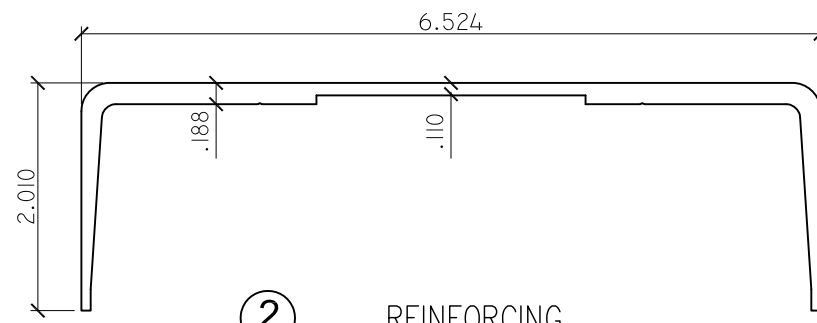
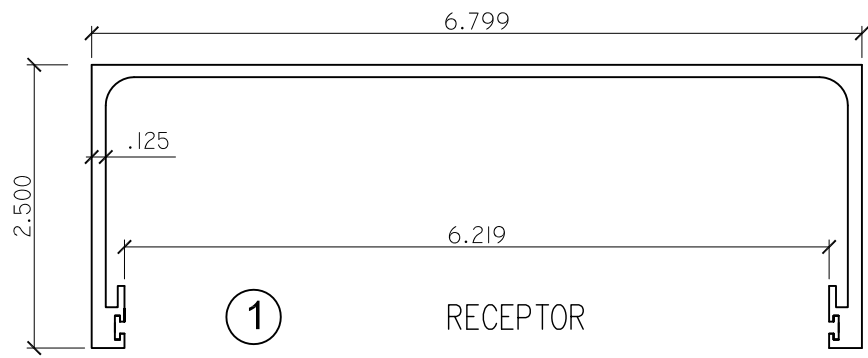
Series 3100
 FIXED WINDOW
 SMALL MISSILE
 IMPACT

REVISION	
No.	Description
1	B.C.C.O.
2	REVISION
3	MD RER COMMENTS

Date	SEP-18-07
Scale	
Design by	G. S.
Drawing by	RICHARD
Checked by	G. S.
Drawing No.	FXD-3100-SM
Sheet 7 of 8	

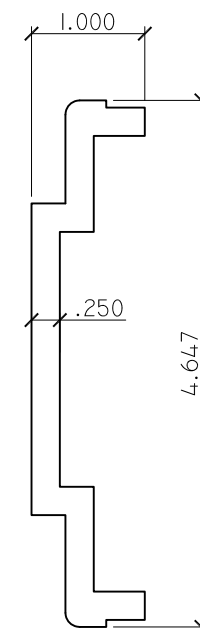
ISOMETRIC



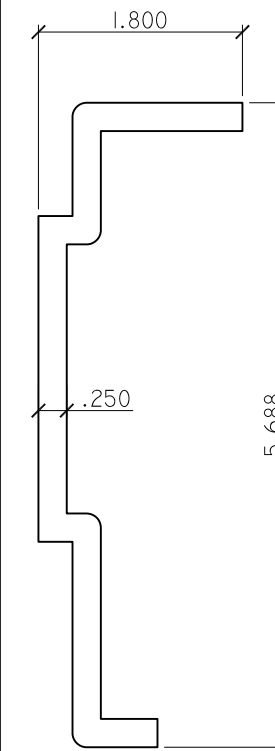


14 FEMALE

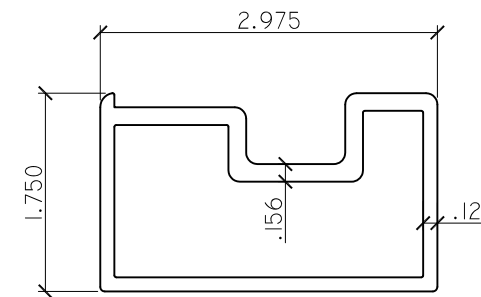
ITEM #	PART NUMBER	PART NAME	ALLOY & TEMPERED
1	2000 - 07	RECEPTOR	6005-T5
2	2000 - 16	REINFORCING LENGTHS 12" & 15"	6005-T5
3	FP-448-V	VINYL BULB	PROTOTYPE
4	3000 - 08	TOP & BOTTOM	6005-T5
5	3000 - 03	BEAD	6005-T5
6	3000 - 07	COVER	6005-T5
7	3000 - 10	INTERMEDIATE	6005-T5
8	3000 - 12	TUBE LENGTHS 15" & 18"	6005-T5
9	3000 - 09	GLASS STOP	6005-T5
10	3000 - 11	GLASS STOP	6005-T5
11	CGS - 01	GLASS SPACER	PROTOTYPE
12	3000 - 09	JAMB	6005-T5
13	3000 - 05	MALE	6005-T5
14	3000 - 06	FEMALE	6005-T5
15	3000 - 14	REINFORCING	6005-T5
16	3000 - 15	REINFORCING	6005-T5



15 REINFORCING



16 REINFORCING

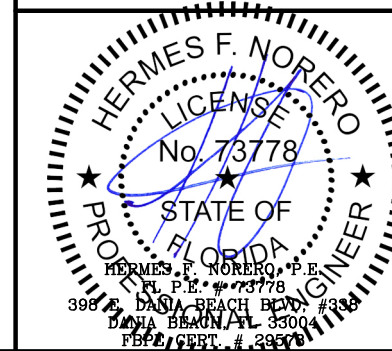


8 TUBE

REVISION	
No	Description
1	9-18-07 B.C.C.O.
2	10/16/12 REVISION
3	07/20/16 SM MD RER COMMENTS

Date: SEP-18-07
 Scale:
 Design by: G. S.
 Drawing by: RICHARD
 Checked by: G. S.
 Drawing No. FXD-3100-SM
 Sheet 8 of 8

EXTRUSIONS AND PARTS



Continental Glass Systems, LLC.
 325 West 74 Place
 Hialeah Florida, 33014
 Phone 305-231-1101 Fax 305-231-1103

Series 3100
 FIXED WINDOW
 SMALL MISSILE
 IMPACT